

WOOD FIREPLACES,
STOVES & INSERTS



www.regency-fire.com



**WOOD
FIREPLACES STOVES & INSERTS**

why choose Regency?

Clean Burning Heating Solutions

In 1979, I founded Regency Fireplace Products with a mission to produce the finest fireplace products available anywhere. As a result, Regency® has been honored with awards for exceptional aesthetics and performance. It is known as the premium brand in the industry.

There are so many reasons to choose a Regency, I would like to share a few with you.

Save money... Zone heat

Never before have home heating costs been higher. Turn your furnace way down and zone heat with beautiful, renewable wood in the rooms you spend time in. Not only can you cut your fuel bills in half but you will be able to enjoy the timeless joy of a wood fire. The glowing embers, the snap of wood as it catches fire, the casual curl of yellow flames, there is nothing like a wood fire.

Environmentally Friendly

All Regency Wood Stoves, Fireplaces and Inserts have been certified by the United States Environmental Protection Agency (EPA). Regency engineers have carefully designed the firebox to create

airflow around the wood so that it burns completely, resulting in very little ash and almost no polluting smoke into our environment. Burning wood is also carbon neutral.

Regency Quality

The Regency name means quality in every way. I am supported by an exceptional team, state of the art research and a world class manufacturing facility. We have carefully selected a dealer network that is committed to your satisfaction.

Lifetime Warranty

I am so confident in the quality workmanship, the finest materials, and durable heavy-duty construction invested in each and every product, that I offer a Limited Lifetime Warranty. We know that you will be as proud of your Regency Wood Stove, Fireplace or Insert as we are – I guarantee it.



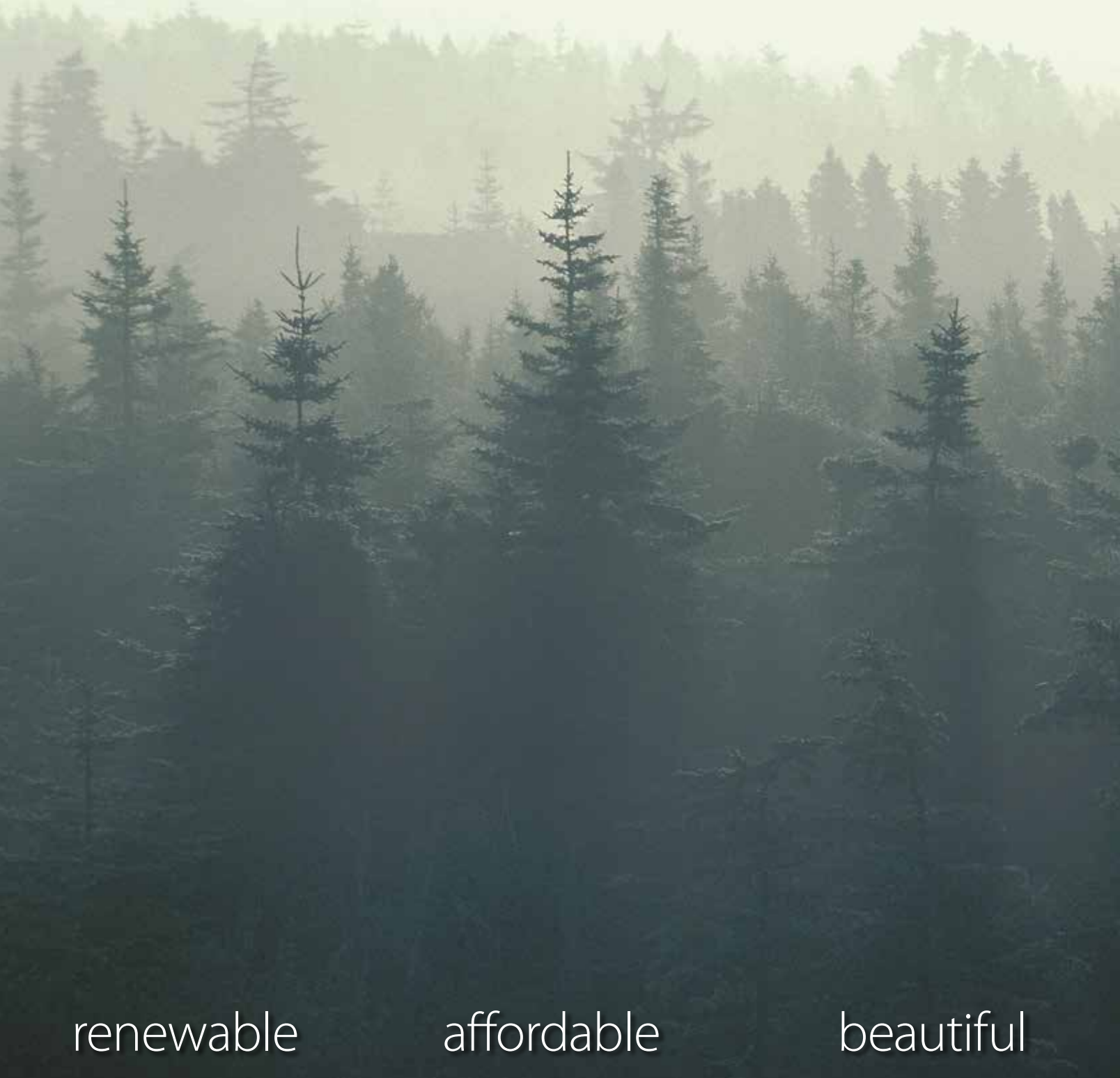
Robert Little
Founder & CEO



index

Regency Pro-Series Wood Insert	
CI2600	6
Regency Alterra Wood Inserts	
CI1200, CI1250	8
Regency Classic Wood Inserts	
I1200, Hearth Heater H2100	10
I2400 & I3100	12
Regency Wood Fireplaces	
R90 & EX90	14
Regency Alterra Wood Stoves	
CS1200, CS2400	16
Regency Classic Wood Stoves	
F1100, F2400, F3100, S2400	18
Regency Pro-Series Wood Stoves	
F5100, F3500	20
Technology	22
Options	25
Technical Specs	26





renewable

affordable

beautiful



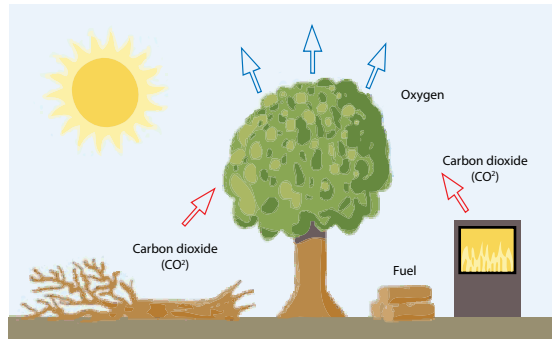
burning wood - a green choice

Wood is affordable

Reduce your dependence on high priced, non-renewable home heating fuels by burning wood. Turn your furnace down and enjoy comforting warmth in your main living area with a Regency wood product. Whether you buy your wood or collect it yourself, you will notice the savings within its first year.

Renewable Resource

Wood is a renewable natural resource - well-managed forests are a renewable, sustainable source of energy that helps us reduce greenhouse gas emissions and be less dependent on oil & gas.



Wood is Carbon Neutral

As trees grow they absorb carbon dioxide from the atmosphere. When trees die and are left to decompose in the forest or burn in forest fires the carbon stored in the trees is released in the atmosphere as carbon dioxide.

Burning firewood produces the same amount of carbon dioxide as it has absorbed during its life cycle - making wood burning carbon neutral.

EPA certified

All Regency Wood Stoves, Fireplaces and Inserts have been tested and certified to the strictest clean air standards as set by the United States Environmental Protection Agency (EPA).



BURN TIME
up to 14 hrs

Pro-Series CI2600 with low profile faceplate.

Pro-Series Wood Insert

CI2600



6

Best Linear Styling

This insert's flush design takes the wood insert category to a whole new level. Clean lines surround an expansive linear firebox providing you with a designer look around an incredible fire. Add the Eco-Boost™ technology, and the ability to provide clean, consistent heat for up to 2600 square feet and this insert is unmatched in the industry.

Standard Features

- Eco-Boost™ Technology
- 2.6 cu. ft. firebox accommodating 22" logs
- Single lever bypass damper
- Single-lever air control
- High performance brick-lined firebox
- Clean glass airwash system
- Contemporary cast iron door
- 250 sq. inch viewing area
- 110° opening door for easy loading
- Quick access leveling bolts
- Rollers for easy installation

Optional Features

- Low profile or Contemporary faceplate
- Backing plate in 2 sizes
- Concealed 2 speed blower
- Digital Catalytic temperature gauge
- Offset flue adapter for installation flexibility
- Regency stainless steel liner kit





Pro-Series C12600 with contemporary faceplate

BURN TIME
up to 14 hrs

The hybrid catalytic system allows the fuel to burn at a slower rate, delivering 14 or more hours of heat* with a single load of wood. Fuel is utilized to its full potential with only 1.8 g/hr. of emissions and **86.1% efficiency!**

Specifications	C12600
Technology	Eco-Boost™ Technology
BTU output range	8,000 - 77,000 BTUs
Typical Sq. Ft. Heated**	up to 2,600 sq. ft.
Optimum Efficiency	86.1%
Maximum Log Size	22"
Burn Time (Typical)*	up to 14 hrs
Emissions (grams/hr)	1.8 g
Firebox Size	2.6 cu. ft.
Vent	6"
Minimum Fireplace Opening	
Width	28-13/16"
Height	21-3/4"
Depth	19"

* Length of burn time and BTU range depend on type of wood, moisture content, climate conditions and installation.

** Varies depending on home floor plan, house layout, heat loss of the house and quality/moisture content of wood.



C12600 shown with the Low profile faceplate



C12600 shown with the Contemporary faceplate and optional backing plate



BURN TIME
up to 8 hrs

Alterra CI1250 wood insert

Alterra® Wood Inserts

CI1250 & CI1200



Transform your fireplace

The Regency Alterra Wood Insert Collection is the next generation in contemporary fireplace design. It combines the unparalleled tradition of high quality, industry leading engineering along with a sleek, modern design. The Alterra features a flush door and surround that transforms your inefficient fireplace opening into a style savvy, efficient heater.

Standard Features

- Metallic black cast iron faceplate
- Reversible cast iron door with removable handle
- EPA Certified
- Single rod draft control
- Airwash system
- Brick-lined firebox
- 2-speed blower (CI1250 only)

Optional Features

- Regular or custom backing plates
- Regency stainless steel flex liner kit
- Standard or 4-1/2" offset flue adaptor (patented)



Alterra CI1200 wood insert

BURN TIME
up to 8 hrs

The Alterra is also available without the blower providing you with installation flexibility. Both models have been specially designed to fit into most masonry or factory built open fireplaces.



CI1200



CI1250

Specifications	CI1200	CI1250
Maximum BTU*	55,000	55,000
Typical Sq. Ft. Heated	600-1000	600-1000
Optimum Efficiency	77.7%	77.7%
Maximum Log Size	18"	18"
Burn Time (Typical)*	up to 8 hrs.	up to 8 hrs
Emissions (grams/hr)	3.0g	3.0g
Firebox Size	1.4 cu. ft.	1.4 cu. ft.
Flue Size	6"	6"
Minimum Fireplace Opening		
Width	25"	25"
Height	19-5/8"	23"
Depth (with standard adaptor)	15-1/6"	15-1/16"
Depth (with offset adaptor)	17-11/16"	17-11/16"

* Length of burn time and BTU range depend on type of wood, moisture content, climate conditions and installation.

** Black doors come with nickel handles & nickel hinge caps





BURN TIME
up to 8 hrs

Regency I1200 with nickel accent door, regular faceplate and blower.

Classic Wood Inserts

I1200 & H2100 Hearth Heater



Incredible heat for any sized room

The Regency I1200 classic wood insert is ideal for that charming fireplace that isn't quite big enough for standard inserts, or for that space in your home that invites a more compact style of fireplace. Yet this small insert delivers a generous 55,000 BTUs of heat and offers a dramatic view through the large glass door.

Standard Features

- EPA Certified
- Single rod draft control
- Airwash system
- Brick-lined firebox
- Convector airmate (built-in H2100 only)

Optional Features

- Cast iron door in black** or nickel accent
- Regular or oversize faceplate (black trim included)
- 2-speed blower
- Screen door (I1200 only)
- Regency stainless steel flex liner kit
- Bottom 1 piece faceplate & fan support (I1200 only)
- Standard or 4-1/2" offset flue adaptor (patented - I1200 only)
- Cast iron legs in black or brushed nickel (H2100 only - see diagram on p.22)

** includes nickel handles and hinge caps



Hearth Heater H2100 with black door regular faceplate and two speed blower.

BURN TIME
up to 8 hrs

Cooktop Convenience

The Hearth Heater combines the best qualities of the Classic Stove and Insert series. It eliminates the cold draft of an open fireplace and because it sits out on the hearth, gives you both convective and radiant heat. Like all Regency products, the Hearth Heater operates during power outages, providing a convenient cooktop surface as well.



I1200 shown with black door



H2100 shown with nickel accent door

Specifications	I1200	H2100
Maximum BTU*	55,000	70,000
Typical Sq. Ft. Heated	600-1000	800-1500
Optimum Efficiency	77.7%	84.9%
Maximum Log Size	18"	18"
Burn Time (Typical)*	up to 8 hrs.	up to 8 hrs
Emissions (grams/hr)	3.0g	3.5g
Firebox Size	1.4 cu. ft.	1.6 cu. ft.
Flue Size	6"	6"
Minimum Fireplace Opening		
Width	23"	-
Height	19"	20"
Depth (with standard adaptor)	13-3/4"	-
Depth (with offset adaptor)	16-1/2"	-

* Length of burn time and BTU range depend on type of wood, moisture content, climate conditions and installation.

** Black doors come with nickel handles & nickel hinge caps





BURN TIME
up to 8 hrs

Regency I2400 with nickel accent door, nickel convection grills, regular faceplate and blower.

Classic Wood Inserts

I2400 & I3100



12

Zone heat for lower heating bills

Your open masonry fireplace can allow as much as 90% of your fire's heat to escape out the chimney. By adding a Regency Classic Fireplace Insert, you will keep the heat in your home. Regency Inserts are ready to install and fit easily into your existing fireplace. Increase the value of your home and decrease your monthly heating bill.

Standard Features

- EPA Certified
- Single rod draft control
- Airwash system
- Brick-lined fire box
- Black convection grills
- Mobile home approved (I2400 only)

Optional Features

- Cast iron door in black** or nickel accent
- Nickel convection grills
- Regular or oversize faceplate (black trim included)
- Screen door
- Regency stainless steel flex liner kit
- 2-speed blower

** includes nickel handles and hinge caps



Regency I3100 with regular faceplate and blower.

BURN TIME
up to 10 hrs

High efficiency heat with style. Regency's wood inserts are available in two sizes generating up to 75,000 BTUs of heat output to heat up to 3,000 square feet with burn times of up to 10 hours. All Regency wood inserts boast an airwash system to keep the glass door clean longer for a better view of the fire.

Specifications	I2400	I3100
Maximum BTU*	75,000	75,000
Typical Sq. Ft. Heated	1000-2000	1800-3000
Optimum Efficiency	77.0%	75.4%
Maximum Log Size	18"	21"
Burn Time (Typical)*	up to 8 hrs	up to 10 hrs
Emissions (grams/hr)	3.4g	4.2g
Firebox Size	2.3 cu. ft.	2.9 cu. ft.
Flue Size	6"	6"
Minimum Fireplace Opening		
Width	25"	28"
Height	21-1/2"	25"
Depth	17"	17"

* Length of burn time and BTU range depend on type of wood, moisture content, climate conditions and installation.

** Black doors come with nickel handles & nickel hinge caps



I2400 shown with black door



I2400 shown with nickel accent door





BURN TIME
up to 8 hrs

Classic R90 featuring black louvers.

Wood Fireplaces

R90 & EX90

A furnace with a view

Regency's high efficiency fireplaces put a designer face on a hard working heater. Just load up your Regency and tuck in for a cozy night's sleep. Delivering up to 70,000 BTUs of high efficiency heat, your Regency will burn for up to 8 hours.

Standard Features

- EPA Certified
- Single rod draft control
- Airwash system
- Black cast iron double doors
- Ceramic safety glass
- Brick-lined firebox
- Andirons
- Outside air kit

Optional Features

- Black louvers (R90)
- Excalibur arch front in black (EX90)
- Blower
- Ash drawer
- Gravity air kit
- 8" - 7" flue adaptor (Canada only)
- 8" Air cooled chimney adaptors (US only)
- HeatWave™ kit (Canada only)
- Screen door





Excalibur® EX90 shown with Excalibur front in black.

BURN TIME
up to 8 hrs

Tasteful arched styling

Offering timeless appeal, the Excalibur fireplace is defined by the large arched viewing area that frames a captivating wood fire. The simple and reliable all-in-one draft control rod allows you to choose a slow burning fire with less heat or a robust, crackling fire to take the chill off any room.



R90 shown with black louvers

Specifications	R90	EX90
Maximum BTU*	70,000	70,000
Typical Sq. Ft. Heated	1,000-2,200	1,000-2,200
Efficiency	77.4%	77.4%
Maximum Log Size	20"	20"
Burn Time (Typical)*	up to 8 hrs.	up to 8 hrs.
Emissions (grams/hr)	3.72g	3.72g
Firebox Size	2.5 cu. ft.	2.5 cu. ft.
Flue Size	8"	8"

* Length of burn time and BTU range depend on type of wood, moisture content, climate conditions and installation.





BURN TIME
up to 8 hrs

CS2400 shown with stainless steel side panels and black floor pad.

Alterra® Wood Stoves

CS1200 & CS2400



Modern Styling – Traditional high efficiency heat

The striking, contemporary design of Regency's Alterra wood stove puts the focus on the brilliant glowing fire. With an impressive 20% greater viewing area than traditional wood stoves, and a convenient firewood storage area at the base, the Alterra is perfectly proportioned for visual pleasure and easy loading. The unique modern styling is complemented by the Regency tradition of reliability and high efficiency.

Standard Features

- Metallic black cast iron door
- Reversible cast iron door with removable handle
- EPA Certified
- Mobile home & alcove approved
- Closest clearances in the industry
- Single rod draft control
- Brick-lined firebox
- Airwash system
- Built-in top louver airmate

Optional Features

- Side panels in black & stainless steel
- Ash drawer
- 2-speed blower
- Outside air kit
- Metallic black floor pad



CS1200 shown with black side panels and black floor pad.

BURN TIME
up to 8 hrs

Available in two sizes, both the CS1200 and larger CS2400 deliver incredible high efficiency heat in two different footprints. All Regency wood stoves produce more heat using less wood and a longer burn. Enjoy clean burning wood heat overnight all winter long.

Specifications	CS1200	CS2400
Maximum BTU*	55,000	75,000
Typical Sq. Ft. Heated	600-1200	1000-2200
Efficiency	77.7%	77%
Maximum Log Size	18"	18"
Burn Time (Typical)*	up to 8 hrs	up to 8 hrs
Emissions (grams/hr)	3.0g	3.4g
Firebox Size	1.4 cu. ft.	2.3 cu. ft.
Flue Size	6"	6"

* Length of burn time and BTU range depend on type of wood, moisture content, climate conditions and installation.



CS1200 shown with stainless steel panels



CS1200 shown with black side panels





BURN TIME
up to 8 hrs

F2400 shown with the pedestal and contemporary door

Classic Wood Stoves

F1100, F2400, F3100, S2400

Classic design in three sizes

The timeless styling of the Classic Wood Stove comes in three sizes producing from 55,000 to 80,000 BTUs of toasty warmth for a single living area or an entire home. Up to 77% efficiency means any room can be heated quickly. It also means your wood stove burns cleanly meeting the strictest air quality standards set by Washington State low emissions standards.

Standard Features

- EPA Certified
- Mobile home and alcove approved
- Closest clearances in the industry
- Single rod draft control
- Brick-lined firebox
- Airwash system
- Rear heat deflector

Optional Features

- Cast iron door in black** or nickel accent
- Contemporary door in black
- Cast iron legs in black or brushed nickel
- Pedestal base
- Bottom heat shield (when using legs)
- Ash drawer
- 2-speed blower
- Convect air mate (F series only)
- Outside air kit
- Screen door

** includes nickel handles and hinge caps





S2400 shown with pedestal and nickel accent door.

BURN TIME
up to 8 hrs

The special design of the Step Top Classic makes it possible to be placed close to a corner of the wall. This makes it ideal for a medium sized room or for installation in tight alcoves. All Regency wood products offer an optional two speed blower to help deliver high efficiency heat to the far reaches of your home.

Specifications	F1100	F2400	S2400	F3100
Maximum BTU*	55,000	75,000	75,000	80,000
Typical Sq. Ft. Heated	600-1200	1000-2200	1000-2200	2000-3500
Efficiency	77.7%	77.0%	77.0%	75.4%
Maximum Log Size	18"	18"	18"	21"
Burn Time (Typical)*	up to 8 hrs	up to 8 hrs	up to 8 hrs	up to 10 hrs
Emissions (grams/hr)	3.0g	3.4g	3.4g	4.2g
Firebox Size	1.4 cu. ft.	2.3 cu. ft.	2.3 cu. ft.	2.9 cu. ft.
Flue Size	6"	6"	6"	6"

* Length of burn time and BTU range depend on type of wood, moisture content, climate conditions and installation.

** Black doors come with nickel handles & nickel hinge caps



F2400 shown with pedestal



F2400 shown with legs and nickel accent door & airmate



S2400 shown with pedestal





BURN TIME
up to 30 hrs

Pro-Series F5100 wood stove

Pro-Series Wood Stoves

F5100 & F3500



20

Largest Woodstove Available In North America

This extra large wood stove lets you load an impressive 90 pounds of fuel, then sit back and enjoy consistent, controllable, beautiful heat for up to 30 hours without reloading. Its clean, classic design provides the perfect backdrop to the wideview cast door giving you a large fireview that will take your breath away!

Standard Features

- Eco-Boost™ Technology
- Single lever bypass control to engage catalyst
- Single-lever air control to adjust heat output
- Brick-lined firebox
- Rear heat deflector
- Airwash system helps keep the glass clean
- Discreet ashlip
- Contemporary cast iron door in black
- 170° opening door for easy loading
- Thermometer
- Heavy duty 3/16 in. steel firebox
- Positive cam latching system

Optional Features

- Ash pan with cover
- Two-speed blower
- Convector airmate
- Outside air kit





Pro-Series F3500 wood stove

BURN TIME
up to 24 hrs

Best Size For Average Living Areas

For small to medium living areas you can enjoy all of the fire power and styling of the F5100 in a more compact model. One of the greatest assets of Eco-Boost™ technology is that you can enjoy a full, roaring fire with strong heat or use the single lever air control, conveniently located on the front of the stove to adjust the flame to enjoy lower heat and gorgeous glowing embers. The choice is yours!

Specifications	F5100	F3500
Technology	Eco-Boost™ Technology	Eco-Boost™ Technology
Heating capacity	1,500 - 3,000 sq. ft. **	1,500 - 2,500 sq. ft. **
Firebox capacity	4.42 cu. ft.	3.0 cu. ft.
Maximum wood load	90 lbs ***	60 lbs ***
BTU output range	8,000 - 80,000 BTUs	8,000 - 75,000 BTUs
Burn Time (Typical)*	up to 30 hrs	up to 24 hrs
Log size (front-to-back & side-to-side)	22 in.	20 in.
Emissions	1.46 g/hr	1.1 g/hr
Weight	520 lbs	414.75 lbs
Efficiency	85.48%	87.1%
Door	25 in. W x 16 in. H heavy cast iron	21.75 in. W x 14.875 in. H heavy cast iron
Viewing area	180 sq. in.	180 sq. in.
Loading opening	20.125 in. W x 10 in. H	17.125 in. W x 7.983 in. H
Bypass assembly	heavy cast iron	heavy cast iron
Air control	single lever, easy front access	single lever, easy front access

* Length of burn time and BTU output depend upon wood species used, moisture content of wood, elevation, climate conditions and installation.

** Varies depending on home floor plan, house layout, heat loss of the house and quality/moisture content of wood.

*** Based on 8,500 BTUs per lbs.

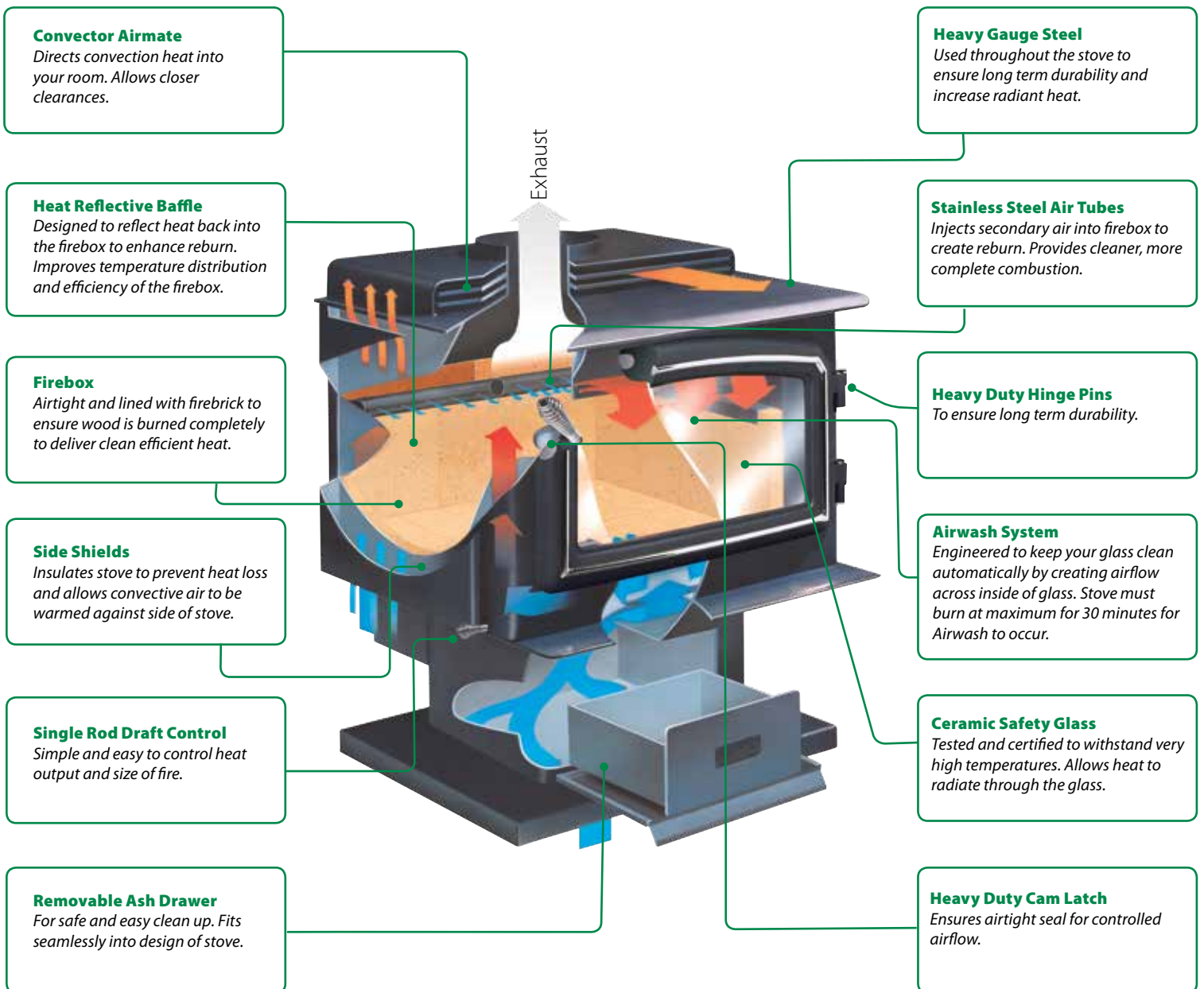
Non-Catalytic Wood Stove

For the following units:
F1100, F2400, F3100, S2400

Non-catalytic Technology

Regency uses non-catalytic technology which means that the airflow in the firebox is directed in such a way that smoke is reburned. This creates greater efficiency, a spectacular fire and results in cleaner emissions.

By combining non-catalytic technology with durable construction, Regency builds wood fireplaces that are guaranteed to last. These stove diagrams illustrate the airflow and durable components that make Regency your heating solution.



Catalytic Eco-Boost™ Technology

For the following units:
F5100 & F3500

Secondary Air Tube

The secondary air tube, working with the catalyst, ensures the fuel is burned to its full potential resulting in low emissions and high heat output.

Catalytic Combustor

Create consistent heat by slowly re-burning wood smoke particles that would normally go up the chimney.

Heavy Duty Stainless Steel Flame Shield

Provides better distribution of gases over the catalyst and protects the catalyst from direct flame exposure.

Air Wash System

Keeps the glass clean and provides an excellent view of the fire.

Single Lever Air Control

Easily controls the heat output and intensity of the fire by adjusting the amount of air intake.

Large Ash Pan

The largest concealed ash drawer that allows for easy clean up.

Combustion Air

Air from the room is drawn in for primary and secondary combustion.

Convactor Airmate

Optional airmate to help direct warm air further into the room.

Simple Temperature Thermometer

The easy to read thermometer indicates when to close the bypass lever and engage catalytic activity.

Cast Damper

Used to close the damper & engage the catalytic combustor.

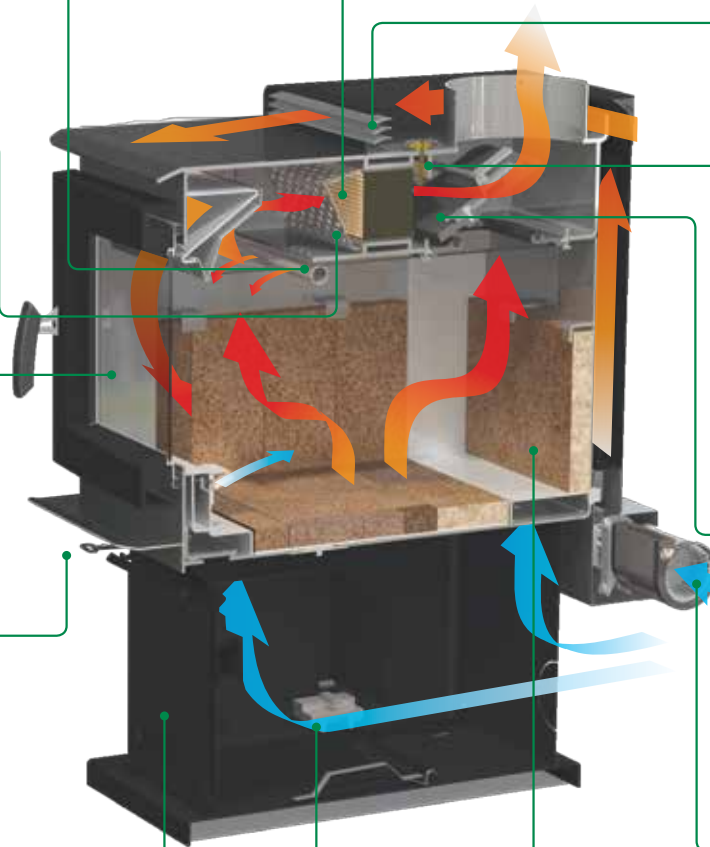
Blower

The 2-speed blower distributes heat throughout the room.

Blower cassette can be removed for cleaning.

High Performance Bricks

Provides superior insulation and heat reflection.



How does Eco-Boost™ **work?**

A heavy duty, secondary air tube is strategically placed to ensure maximized re-burn of products of combustion before making their way to the combustor. Serving as a pre-filter, the Eco-Boost system maximizes efficiency and prolongs the life of the catalytic combustor by decreasing its exposure to harmful combustion substances.



Catalytic Eco-Boost™ Technology

For the following units:
CI2600

Secondary Air Tube

The secondary air tube, working with the catalyst, ensures the fuel is burned to its full potential resulting in low emissions and high heat output.

Catalytic Combustor

Create consistent heat by slowly re-burning wood smoke particles that would normally go up the chimney.

Heavy Duty Stainless Steel Flame Shield

Provides better distribution of gases over the catalyst and protects the catalyst from direct flame exposure.

Air Wash System

Keeps the glass clean and provides an excellent view of the fire.

Single Lever Air Control

Easily controls the heat output and intensity of the fire by adjusting the amount of air intake.

Blower

The 2-speed blower distributes heat throughout the room.

Blower cassette can be removed for cleaning.

Bypass Damper

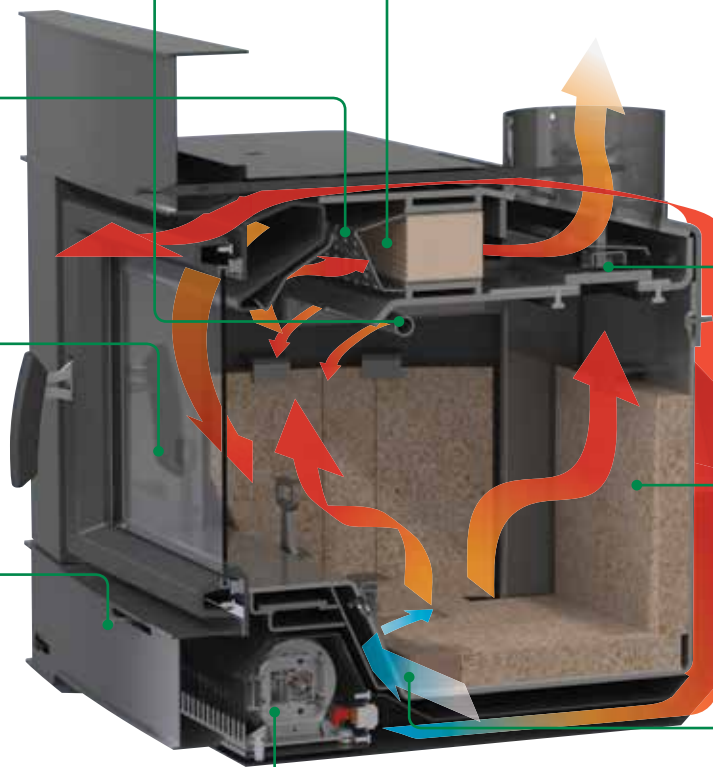
Used to close the damper & engage the catalytic combustor.

High Performance Bricks

Provides superior insulation and heat reflection.

Combustion Air

Air from the room is drawn in for primary and secondary combustion.



How does Eco-Boost™ **work**?

A heavy duty, secondary air tube is strategically placed to ensure maximized re-burn of products of combustion before making their way to the combustor. Serving as a pre-filter, the Eco-Boost system maximizes efficiency and prolongs the life of the catalytic combustor by decreasing its exposure to harmful combustion substances.

Options

Convenient Ash Removal System



1. Pull out drawer



2. Slide cover on top



3. Carry away

Base Options



Brushed Nickel Cast Iron Legs



Black Cast Iron Legs



Black Pedestal

Cast Iron Doors



Black Cast Iron Door
(includes nickel handle and hinge caps)



Nickel Accent Cast Iron Door



Contemporary Door

Screen Doors



For wood stoves and inserts*.



For R90 & EX90 wood fireplaces

* Note: Screen doors are not approved with Alterra wood units (CS1200, CS2400, CI1200, CI1250), CI2600, F3500, F5100 or HearthHeater (H2100)

Convactor Airmate

The convactor airmate scoops super heated air from the back and top of the stove and directs it to the living area in front. This heat dispersion reduces temperatures behind the unit and allows it to be installed even closer to the wall.



Powerful Blower

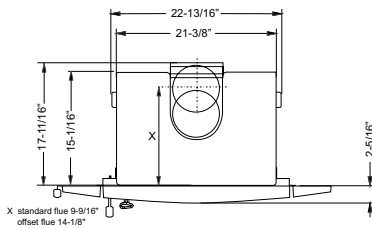
The blower can dramatically increase the circulation of heat in your home. It includes dual speed settings and an automatic heat sensor which turns the blower on and off at predetermined temperatures.



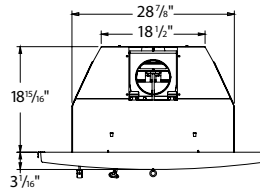
Wood insert blower

Specifications - Wood Inserts

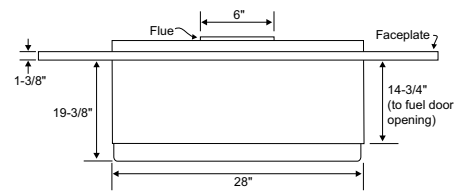
CI1200/CI1250 TOP



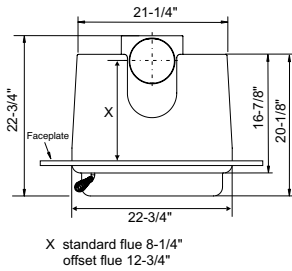
CI2600 TOP



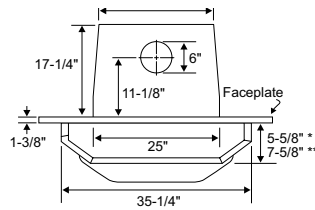
H2100 TOP



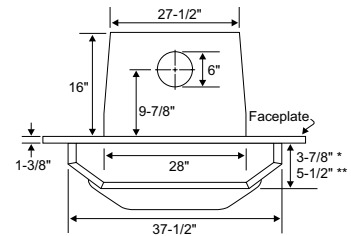
I1200 TOP



I2400 TOP



I3100 TOP



* To fuel door opening
** Top surface depth

Dimensions	CI1200	CI1250	CI2600	I1200	I2400	I3100	H2100
Firebox Height	18-13/16"	22-1/8"	21-1/2"	18-3/4"	20-7/8"	22-3/4"	22-1/2"
Height to top of Flue Collar	19-9/16"	22-13/16"	23-3/16"	19-1/2"	21-1/4"	23-1/8"	20" (without legs) 28" (with legs)
Faceplate Width	35-15/16"	35-15/16"	40"	38"	40"	44"	40-1/4"
Faceplate Height	22-9/16"	25-13/16"	26"	26-1/8"	30"	32"	30"
Oversize Faceplate (W x H)	custom size & backing plate available	custom size & backing plate available	41-3/8" x 26-1/2"	44" x 30-1/8"	48" x 33"	50" x 34-1/2"	48" x 33"

* including ashlip

	CI1200	CI1250	CI2600	I1200	I2400	I3100	H2100
Maximum BTU*	55,000	55,000	77,000	55,000	75,000	75,000	70,000
Typical Sq. Ft. Heated	600-1000	600-1000	2,600	600-1000	1000-2000	1800-3000	800-1500
Optimum Efficiency	77.7%	77.7%	86.1%	77.7%	77%	75.4%	84.9%
Maximum Log Size	18"	18"	22"	18"	18"	21"	18"
Burn Time (Typical)*	up to 8 hrs	up to 8 hrs	up to 14 hrs	up to 8 hrs	up to 8 hrs	up to 10 hrs	up to 8 hrs
Emissions (grams/hour)	3.0g	3.0g	1.8 g/hr	3.0g	3.4g	4.2g	3.5g
Firebox Size	1.4 cu. ft.	1.4 cu. ft.	2.6 cu. ft.	1.4 cu. ft.	2.3 cu. ft.	2.9 cu. ft.	1.6 cu. ft.
Flue Size	6"	6"	6"	6"	6"	6"	6"

* Length of burn time and BTU range depend on type of wood, moisture content, climate conditions and installation.

Minimum Fireplace Opening	CI1200	CI1250	CI2600	I1200	I2400	I3100	H2100
Width (front)	25"	25"	28-13/16"	23"	25"	28"	--
Height	19-5/8"	23"	21-3/4"	19"	21-1/2"	25"	20" (without legs) 28" (with legs)
Depth	(w/ standard flue adaptor)	15-1/16"	15-1/16"	19"	13-3/4"	17"	--
	(w/ offset flue adaptor)	17-11/16"	17-1/16"	--	16-1/2"	--	--

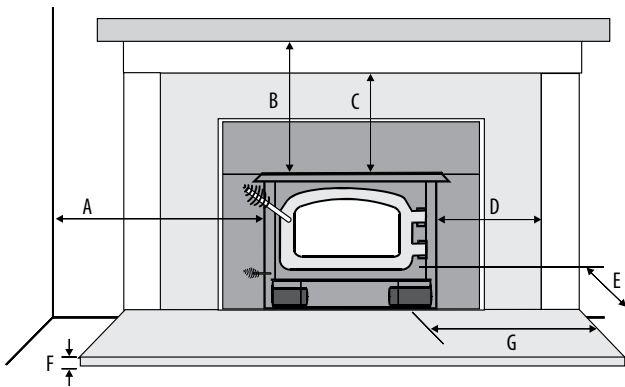
Masonry & Factory Built Fireplace Clearances

The minimum required clearances to combustible materials when installed into a masonry fireplace are:

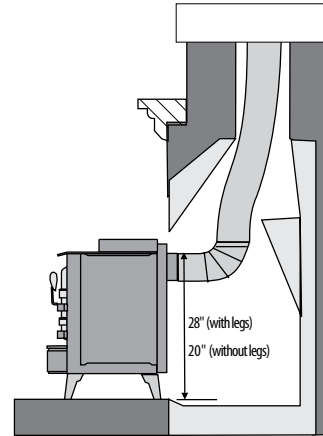
	Adjacent Side Wall (to side)	Mantel (to top)	Top Facing (to top)	Side Facing (to side)	Min. Hearth Extension*		Min. Hearth Elevation*	Min Hearth Side Width**	
	A	B	C	D	E (USA)	E (Canada)	F	G (USA)	G(Canada)
C11200	15"	20"	14"	7-3/8"	16"	18"	1-1/2"	6"	8"
C11250	15"	20"	14"	7-3/8"	16"	18"	1-1/2"	6"	8"
C12600	12-3/16"	21-5/8"	14"	7-3/8"	16"	18"	1-1/2"	8"	8"
I1200	15"	20"	14"	7-3/8"	16"	18"	1-1/2"	6"	8"
I2400	11"	20"	12"	8"	16"	18"	1/2"	8"	8"
I3100	13"	19"	18"	6-1/2"	16"	18"	1-1/2"	6"	8"
H2100	10"	25"	14"	8-1/2"	16"	18"	1-1/2"	6"	8"

* Note: If the hearth extension is flush with the floor (item F) it must extend 19.5 in. in front of the body face (item E) (I1200, I3100 & H2100 only).

** Note: Hearth extension width (G) is measured from edge of fuel door to side of hearth.

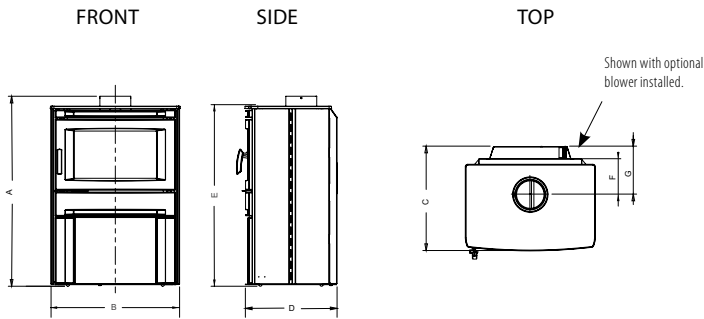


Hearth Heater Minimum Fireplace Openings

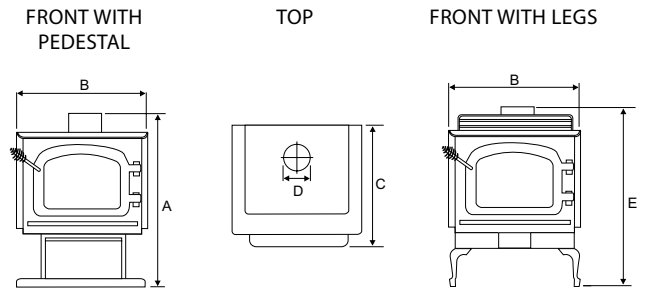


Illustrates Hearth Heater with classic leg option.

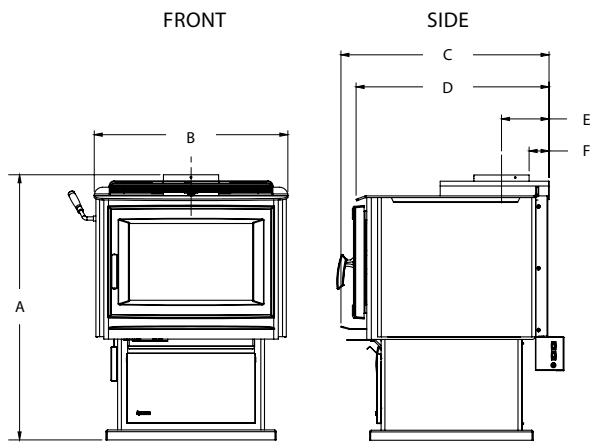
Specifications - Wood Stoves



Dimensions	A	B	C	D	E	F	G
CS1200	39-9/16"	26-3/4"	21-3/4"	19-1/16"	37-13/16"	7-5/16"	9-15/16"
CS2400	41-1/8"	25-15/16"	28-7/8"	26-5/16"	39-1/8"	8-5/16"	9-15/16"



Dimensions	A	B	C	D	E
F1100	32-3/16"	24"	20"	6"	31-11/16"
F2400	36-5/16"	24"	27-3/8"	6"	33-1/2"
S2400	36-5/16"	24"	27-3/8"	6"	35-7/8"
F3100	35-1/4"	28"	25-1/4"	6"	34-3/4"



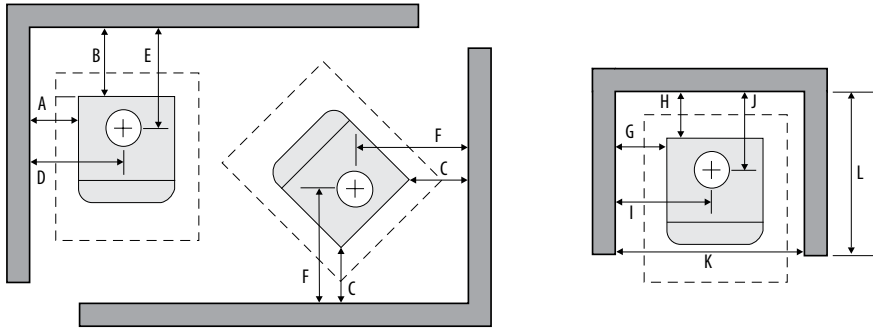
Dimensions	A	B	C	D	E	F
F3500	36"	26"	28"	25-5/8"	8-7/8"	3-3/8"
F5100	39-3/4"	29"	31-3/16"	28-15/16"	7-1/8"	3"

	CS1200	CS2400	F1100	F2400	F3100	S2400	F3500	F5100
Maximum BTU*	55,000	75,000	55,000	75,000	80,000	75,000	75,000	80,000
Typical Sq. Ft. Heated	600-1200	1000-2200	600-1200	1000-2200	2000-3500	1000-2200	1500-2500	1500-3000
Optimum Efficiency	77.7%	77.0%	77.7%	77%	75.4%	77%	87.1%	85.48%
Maximum Log Size	18"	18"	18"	18"	21"	18"	20"	22"
Burn Time (Typical)*	up to 8 hrs	up to 8 hrs	up to 8 hrs	up to 8 hrs	up to 10 hrs	up to 8 hrs	up to 24 hrs	up to 30 hrs
Emissions (grams/hr)	3.0g	3.4g	3.0g	3.4g	4.2g	3.4g	1.1g	1.46g
Firebox Size	1.4 cu. ft.	2.3 cu. ft.	1.4 cu. ft.	2.3 cu. ft.	2.9 cu. ft.	2.3 cu. ft.	3.0 cu. ft.	4.42 cu. ft.
Flue Size	6"	6"	6"	6"	6"	6"	6"	8"

* Length of burn time and BTU range depend on type of wood, climate conditions and installation.

Minimum Clearance to Combustible Materials

Please read the section below carefully as clearances depend on whether the optional airmate convector or the rear heat deflector is installed on the stove. Measurements "From Unit" are from the top plate of the stove to a side wall or to a corner, and from the rear heat shield to a back wall.



Residential Close Clearance (To be installed with required pipe components)

When the stove is installed as a close clearance residential unit, a listed double wall connector is required from the stove collar to the ceiling level.

Residential Installation "C" Vent (Single Wall)		FROM UNIT		FROM CORNER		FROM FLUE CENTER-LINE	
		A	B	C	D	E	F
Alterra CS1200		13"	11"	8"	26-3/8"	18-1/2"	20-3/4"
Alterra CS2400		18"	12"	6-1/2"	31"	20-3/8"	19-3/16"
F1100	with AirMate	13"	11"	8"	25"	17-1/2"	20"
	with Rear Deflector	15"	10-1/2"	11"	27"	17"	23"
S2400	with Step Top	16"	11"	6"	28"	17-1/2"	19"
F2400	with AirMate	16"	11"	6"	28"	17-1/2"	17-1/2"
	with Rear Deflector	18"	12"	6-1/2"	30"	18-1/2"	19-1/2"
F3100	with AirMate	18"	12"	8-1/2"	32"	18-1/2"	22"
	with Rear Deflector	20"	14"	10-1/2"	34"	20-1/2"	24"
F3500	with AirMate	11"	9-1/2"	8"	24"	16"	20-1/2"
	with Rear Deflector	11"	9-1/2"	8"	24"	16"	20-1/2"
F5100	Not approved						

These clearances are certified clearances for the stove, however, the clearance to the combustibles and the single wall stove pipe must also be maintained. You can reduce the stove pipe clearance with a stove pipe heat shield.

Residential Close Clearance (To be installed with required pipe components)		FROM UNIT		FROM CORNER		FROM FLUE CENTER-LINE	
		A	B	C	D	E	F
Alterra CS1200		11"	7"	7"	24-1/2"	14-1/2"	19-3/4"
Alterra CS2400		15"	6-1/2"	6"	28"	14-7/8"	18-11/16"
F1100	with AirMate	9"	5"	3"	21"	11-1/2"	15"
	with Rear Deflector	13-1/2"	5"	5"	25-1/2"	11-1/2"	17"
S2400	with Step Top	15"	5-1/2"	4"	27"	12"	17"
F2400	with AirMate	15"	5-1/2"	4"	27"	12"	15-1/2"
	with Rear Deflector	15"	6-1/2"	6"	27"	13"	17-1/2"
F3100	with AirMate	16"	9-1/2"	8-1/2"	30"	16"	22"
	with Rear Deflector	20"	12"	8-1/2"	34"	18-1/2"	22"
F3500	with AirMate	11"	9-1/2"	8"	24"	16"	20-1/2"
	with Rear Deflector	11"	9-1/2"	8"	24"	16"	20-1/2"
F5100	with AirMate	11"	10"	8"	25-1/2"	17-1/8"	22-1/2"
	with Rear Deflector	11"	10"	8"	25-1/2"	17-1/8"	22-1/2"

Minimum Alcove Clearance to Combustible Materials

The Regency® Freestanding models have been alcove approved and must be installed with a listed double wall connector to the ceiling level.

Note: Minimum alcove ceiling height: 83" for F5100 & F3500 and 84" for all other models

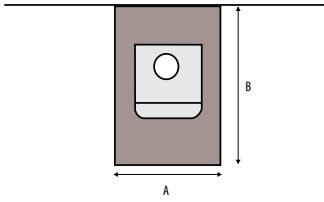
Minimum Alcove Clearance		FROM UNIT		FROM FLUE CENTER-LINE		MIN. WIDTH	MAX. DEPTH
		G	H	I	J		
Alterra CS1200		11"	7"	24-1/2"	14-1/2"	49-1/8"	36"
Alterra CS2400		15"	6-1/2"	28"	14-7/8"	56"	36"
F1100	with AirMate	11"	7"	23"	13.5"	46"	36"
	with Rear Deflector	13"	5"	25"	11.5"	50"	36"
S2400	with Step Top	15"	5-1/2"	27"	12"	54"	36"
F2400	with AirMate	15"	5-1/2"	27"	12"	54"	36"
	with Rear Deflector	15"	6-1/2"	27"	13"	54"	36"
F3100	with AirMate	16"	9.5"	30"	16"	60"	36"
	with Rear Deflector	not approved for Alcove					
F3500	with AirMate	11"	9-1/2"	24"	16"	60"	48"
	with Rear Deflector	11"	9-1/2"	24"	16"	60"	48"
F5100	with AirMate	11"	10"	25-1/2"	17-1/8"	63"	48"
	with Rear Deflector	11"	10"	25-1/2"	17-1/8"	63"	48"

Mobile Home Close Clearance (To be installed with required pipe components)

"C" Vent single wall pipe is not approved for mobile home installations. (Refer to mobile home instructions)

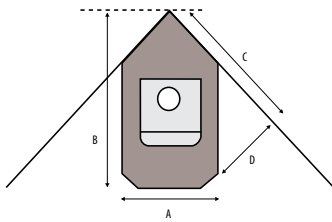
Mobile Home Close Clearance (To be installed with required pipe components)		FROM UNIT		FROM CORNER		FROM FLUE CENTER-LINE	
		A	B	C	D	E	F
Alterra CS1200		11"	7"	7"	24-1/2"	14-1/2"	19-3/4"
Alterra CS2400		15"	6-1/2"	6"	28"	14-7/8"	18-11/16"
F1100	with AirMate	11"	6"	6"	23"	12-1/2"	18"
	with Rear Deflector	13"	5"	9"	25"	11-1/2"	21"
S2400	with Step Top	15"	5-1/2"	4"	27"	12"	17"
F2400	with AirMate	15"	5-1/2"	4"	27"	12"	15-1/2"
	with Rear Deflector	15"	6-1/2"	6"	27"	13"	17-1/2"
F3100	with AirMate	18"	9-1/2"	10"	32"	16"	23-1/2"
	with Rear Deflector	20"	12"	10"	34"	18-1/2"	23-1/2"
F3500	with AirMate	11"	9-1/2"	8"	24"	16"	20-1/2"
	with Rear Deflector	11"	9-1/2"	8"	24"	16"	20-1/2"
F5100	with AirMate	11"	10"	8"	25-1/2"	17-1/8"	22-1/2"
	with Rear Deflector	11"	10"	8"	25-1/2"	17-1/8"	22-1/2"

Wood Stoves - Floor Protection



USA FLOOR PROTECTION Flush Wall Hearth Requirements		Residential "C" Vent		Residential Close Clearance		Mobile Home Close Clearance		Alcove	
		A	B	A	B	A	B	A	B
Alterra CS1200		38-3/4"	39"	38-3/4"	39"	38-3/4"	39"	38-3/4"	39"
Alterra CS2400		38-3/8"	47-5/16"	38-3/8"	47-5/16"	38-3/8"	47-5/16"	38-3/8"	47-5/16"
F1100	with AirMate	36"	38"	36"	37"	36"	38"	36"	38"
	with Rear Deflector	36"	38"	36"	37"	36"	37"	36"	37"
S2400	with Step Top	36"	46"	36"	45"	36"	45"	36"	45"
F2400	with AirMate	36"	46"	36"	45"	36"	45"	36"	45"
	with Rear Deflector	36"	46"	36"	45"	36"	45"	36"	45"
F3100	with AirMate	40"	43"	40"	43"	40"	43"	40"	43"
	with Rear Deflector	40"	43"	40"	43"	40"	43"	Not approved for alcove	
F3500	with Rear Deflector	42"	46-1/2"	42"	46-1/2"	42"	46-1/2"	42"	46-1/2"
F5100	with AirMate/ Rear Deflector	Not approved		45"	49-1/8"	45"	49-1/8"	45"	49-1/8"

CANADA FLOOR PROTECTION Flush Wall Hearth Requirements		Residential "C" Vent		Residential Close Clearance		Mobile Home Close Clearance		Alcove	
		A	B	A	B	A	B	A	B
Alterra CS1200		42-3/4"	43"	42-3/4"	43"	42-3/4"	43"	42-3/4"	43"
Alterra CS2400		42-3/8"	51-5/16"	42-3/8"	51-5/16"	42-3/8"	51-5/16"	42-3/8"	51-5/16"
F1100	with AirMate	40"	42"	40"	41"	40"	42"	40"	42"
	with Rear Deflector	40"	42"	40"	41"	40"	41"	40"	41"
S2400	with Step Top	40"	50"	40"	49"	40"	49"	40"	49"
F2400	with AirMate	40"	50"	40"	49"	40"	49"	40"	49"
	with Rear Deflector	40"	50"	40"	49"	40"	49"	40"	49"
F3100	with AirMate	44"	47"	44"	47"	44"	47"	44"	47"
	with Rear Deflector	44"	47"	44"	47"	44"	47"	Not approved for alcove	
F3500	with AirMate/ Rear Deflector	42"	48-1/2"	42"	48-1/2"	42"	48-1/2"	42"	48-1/2"
F3500	with AirMate/ Rear Deflector	Not approved		45"	53-1/8"	45"	53-1/8"	45"	53-1/8"



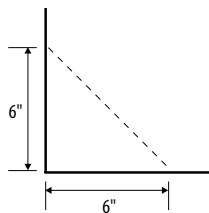
USA FLOOR PROTECTION Corner Hearth Requirements		Residential "C" Vent				Residential Close Clearance				Mobile Home Close Clearance			
		A	B	C	D	A	B	C	D	A	B	C	D
Alterra CS1200		38-3/4"	53"	47-1/2"	20-3/8"	38-1/2"	53"	47-1/4"	20-3/8"	38-1/2"	53"	47-1/4"	20-3/8"
Alterra CS2400		38-3/8"	61"	52-1/4"	25-1/4"	38-3/8"	61"	52-1/4"	25-1/4"	38-3/8"	61"	52-1/4"	25-1/4"
F1100	with AirMate	36"	52-3/4"	45-3/4"	21-1/4"	36"	47-3/4"	40-3/4"	16-1/4"	36"	50-3/4"	43-3/4"	19-1/4"
	with Rear Deflector	36"	57-1/4"	49-1/2"	25"	36"	49-3/4"	42-3/4"	18-1/4"	36"	58-1/4"	50-1/4"	26"
S2400	with Step Top	36"	57-1/2"	53-1/2"	26-1/2"	36"	55"	52-1/2"	24-3/4"	36"	55"	52-1/4"	24-3/4"
F2400	with AirMate	36"	57-1/2"	53-1/2"	26-1/2"	36"	55"	52-1/2"	24-3/4"	36"	55"	52-1/4"	24-3/4"
	with Rear Deflector	36"	58"	54"	27"	36"	57-1/2"	53-1/2"	27"	36"	57-1/2"	53-1/2"	27"
F3100	with AirMate	40"	60-3/4"	53"	24-1/4"	40"	60-3/4"	53"	24-1/4"	40"	60-1/4"	54-1/2"	24-1/4"
	with Rear Deflector	40"	63-1/2"	53-1/2"	26-1/4"	40"	60-3/4"	53"	24-1/4"	40"	63"	54-1/2"	24-1/4"
F3500	with AirMate/ Rear Deflector	42"	63"	55-1/8"	25-1/2"	42"	63"	55-1/8"	25-1/2"	42"	63"	46-1/2"	25-1/2"
F5100	with AirMate/ Rear Deflector	Not approved				45"	67-1/2"	59-1/2"	27-9/16"	45"	67-1/2"	59-1/2"	27-9/16"

CANADA FLOOR PROTECTION Corner Hearth Requirements		Residential "C" Vent				Residential Close Clearance				Mobile Home Close Clearance			
		A	B	C	D	A	B	C	D	A	B	C	D
Alterra CS1200		42-3/4"	55"	48"	21-5/8"	42-3/4"	55"	48"	21-5/8"	42-3/4"	55"	48"	21-5/8"
Alterra CS2400		42-3/8"	63"	55-3/4"	26-5/8"	42-3/8"	63"	55-3/4"	26-5/8"	42-3/8"	63"	55-3/4"	26-5/8"
F1100	with AirMate	40"	54-3/4"	47-3/4"	19-1/4"	40"	49-3/4"	42-3/4"	14-1/4"	40"	52-3/4"	45-3/4"	17-1/4"
	with Rear Deflector	40"	59-1/4"	51-1/4"	23"	40"	51-3/4"	44-3/4"	16-1/4"	40"	60-1/4"	52-1/4"	24"
S2400	with Step Top	40"	59-1/2"	55-1/2"	28-1/2"	40"	57"	54-1/2"	26-3/4"	40"	57"	54-1/4"	26-3/4"
F2400	with AirMate	40"	59-1/2"	55-1/2"	28-1/2"	40"	57"	54-1/2"	26-3/4"	40"	57"	54-1/4"	26-3/4"
	with Rear Deflector	40"	60"	56"	29"	40"	59-1/2"	55-1/2"	29"	40"	59-1/2"	55-1/2"	29"
F3100	with AirMate	44"	62-3/4"	55"	22-1/4"	44"	62-3/4"	55"	22-1/4"	44"	62-1/4"	56-1/2"	22-1/4"
	with Rear Deflector	44"	65-1/2"	55-1/2"	24-1/4"	44"	62-3/4"	55"	22-1/4"	44"	65"	56-1/2"	22-1/4"
F3500	with AirMate/ Rear Deflector	42"	65"	56-9/16"	26-3/4"	42"	65"	56-9/16"	26-3/4"	42"	65"	56-9/16"	26-3/4"
F5100	with AirMate/ Rear Deflector	Not approved				45"	69-1/2"	60-7/8"	29"	45"	69-1/2"	60-7/8"	29"

Floor Protection

A combustible floor must be protected by non-combustible material (like tile, concrete board, or certified to UL-1618 or as defined by local codes) extending beneath the heater and a minimum of 8" for F5100 or 6" for all other models (USA) or 8" (250mm) (Canada) from each side and minimum 16" (USA) or 18" (450mm) (Canada) from the front face of stove and minimum of 8" for F5100 or 6" (USA) or 8" (250mm) (Canada) or the rear clearance to combustibles, whichever is smaller, from the rear of the stove.

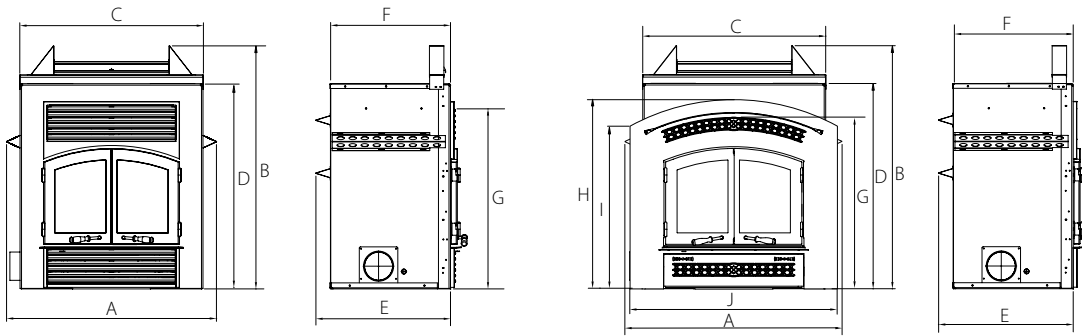
When installed with horizontal venting, non-combustible floor protection must be installed beneath the flue pipe and extend 2" (51mm) beyond each side.



Specifications - Wood Fireplaces

R90

EX90

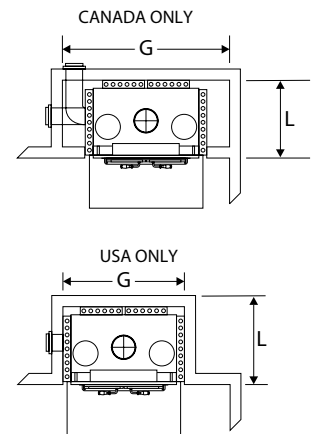


Dimensions	R90	EX90
A	43-5/8"	43-5/8"
B	50-1/2"	50-1/2"
C	38"	38"
D	42-5/8"	42-5/8"
E	28"	28"
F	25"	25"
G	37-3/8"	29-1/8"
H	--	38-3/4"
I	--	33-3/4"
J	--	43"

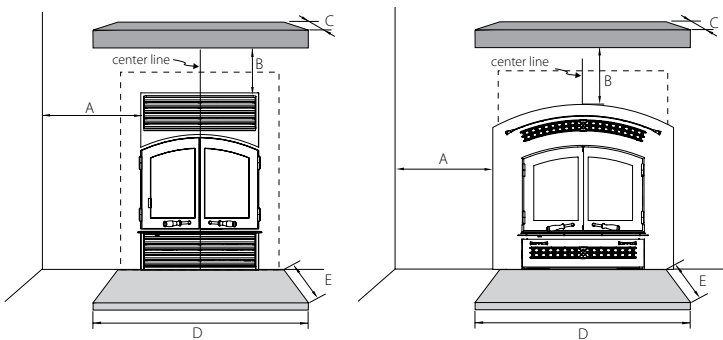
SPECIFICATIONS	R90	EX90
Maximum BTU*	70,000	70,000
Typical Sq. Ft. Heated	1,000-2,200	1,000-2,200
Efficiency (EPA)	74%	74%
Maximum Log Size	20"	20"
Burn Time (Typical)*	up to 8 hrs	up to 8 hrs
Emissions (grams/hr)	3.72g	3.72g
Firebox Size	2.5 cu. ft.	2.5 cu. ft.
Flue Size	8"	8"

*Length of burn time and BTU range depend on type of wood, moisture content, climate conditions and installation

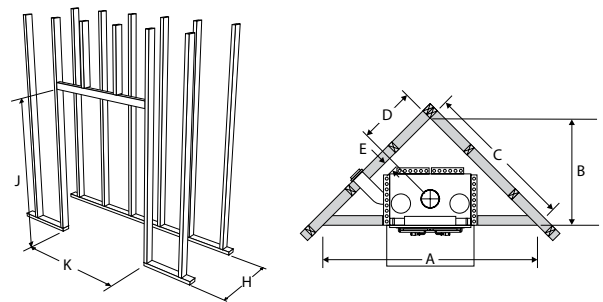
Framing	USA	Canada
A	96-1/4"	115-3/8"
B	48-1/8"	57-5/8"
C	68"	81-1/2"
D	24-1/2"	31-1/4"
E	3"	9-3/4"
G	44"	60"
H	28"	28"
J	50-3/4"	50-3/4"
K	44"	44"
L	28"	28"



CLEARANCE TO COMBUSTIBLES



FRAMING



Minimum Clearance to Combustibles R90 / EX90		USA	Canada
A	Side Wall From Louver Opening (EX90: to surround edge)	18"	24"
B	Mantel Height (min.) From Louver Opening	18"	18"
C	Mantel Depth (max.)	10"	10"

Non-Combustible Hearth Requirement		USA	Canada
D	Hearth Width	40"	40"
E	Hearth Depth	18"	18"

US only: Chase must be ventilated with one 30 square inch vent grill. The vent grill must draw air from inside the home and not from outside.

NOTE: All product specifications are subject to change without notice. Before installing refer to the relevant product manual for full and up to date information.



design your own fireplace

Your Regency® matches your home and lifestyle perfectly. How do we know that? Because you designed it yourself!

Visit www.regency-fire.com today and surf through our selection of products and accessories to design your own fireplace. The endless options are just a click away! Change the style until you have your perfect fireplace... then ask your friends and family for their opinion!

Click on Fireplace Design Centre at www.regency-fire.com and then visit your authorized local dealer to design your own fireplace.

fireplace selection worksheet

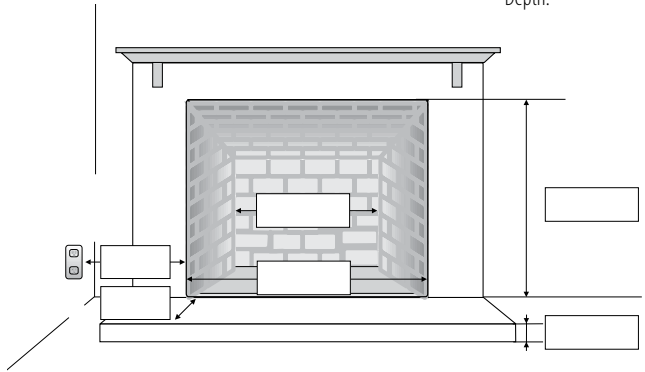
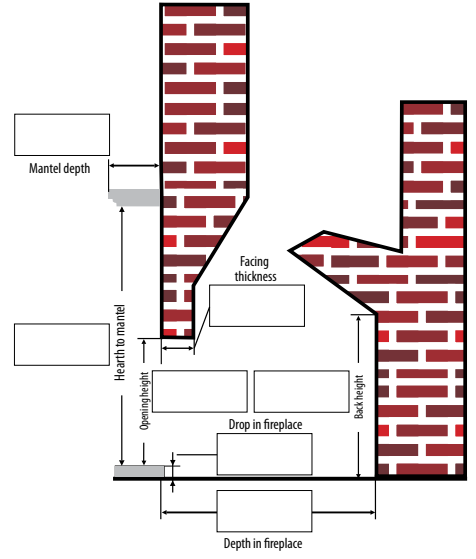
We want you to enjoy your beautiful Regency fireplace for years to come. To help you figure out which product is just right for your home, fill in the following worksheet. Once complete, visit your nearest Regency dealer. Your professional Regency dealer will assess your needs - including local building codes - and install your Regency.

1. BASIC PRODUCT FUNCTION QUESTIONS

- a. I would like my insert to provide me with:
 - Supplemental heating
 - Priority heating
- b. The room/rooms I would like to heat are: _____ Square feet

2. FIREPLACE PRODUCT TYPE AND MEASUREMENTS

- a. I am:
 - Installing a new fireplace
 - Installing into an existing fireplace
- b. Fill in the following measurements:
 - Ceiling Height: _____
 - Location in the room: _____
 - Flooring material: _____
 - Wall material: _____
 - Ceiling material: _____
- c. What is the:
 - Width (front): _____
 - Width (back): _____
 - Height: _____
 - Depth: _____
- d. Fireplace opening dimensions:
 - _____
 - _____
 - _____



www.regency-fire.com

your regency dealer